

# TORQUE TOOL SPECIALIST



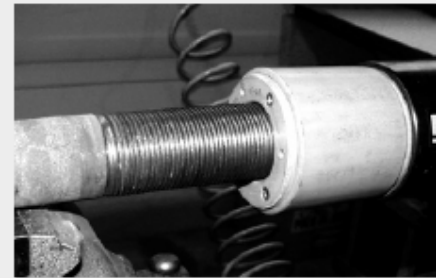
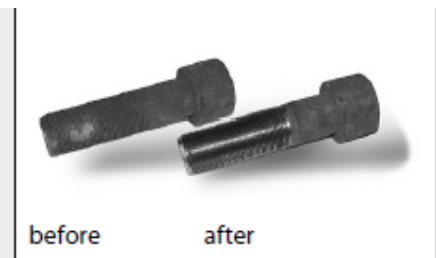
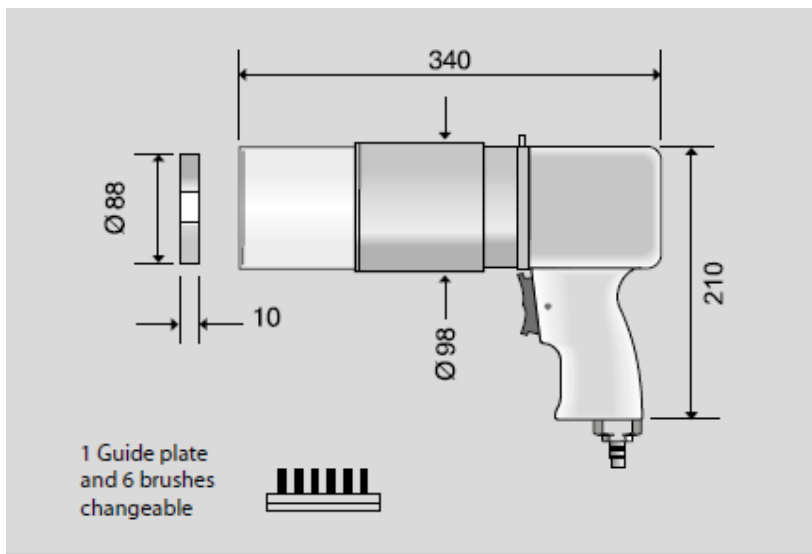
## **"THREAD GUN"** *BOLT CLEANER*



*MADE IN GERMANY*



# INTEGRATED ROBUST AIR MOTOR FOR RELIABLE SERVICE



## Applications

- **Important advice:**  
Soiled or corroded threads prevent to achieve accurate torque values
- The air-driven thread cleaner makes it easy to clean bolts, screws and nuts
- **Universal application fields for inspection works**  
machine construction in general, automobile industry, construction industry, mining & metallurgical industry, chemical industry, maintenance industry, power stations, shipyards, construction of heavy industry, steel skeleton construction, transport of heavy goods, transportation, public utilities, supplies

## Advantages

- Avoids high-cost, messy and labour intensive conventional working methods
- Interchangeable brass or steel brushes facilitate the cleaning of bolts of various sizes
- Secure, fast and constant damage-free cleaning of bolt surfaces
- Efficient fatigue-free operation

## Specials

- Light-weight compact design with integrated dirt trap
- Simple 1-finger operation for right/left rotation
- Robust motor housing from cast aluminium with proven pneumatics drive



## Technical data and Accessories

### Thread Cleaner

Drive: Air-driven

### Brushes and guide plates

Brushes for external thread in steel/brass (6 brushes). Brushes in brass optional available.

### Brush set

Brush set for outside thread (6x6 brushes including 4 guide plates)

Type	Ref. No.	Operating range
BGR	18060	135 mm

Bolts ø	Type	Ref.No
16-18 mm	Brush-ST-1.4401	18006
	Guide Plate	18026
20-24 mm	Brush-ST-1.4401	18005
	Guide Plate	18025
27-30 mm	Brush-ST-1.4401	18004
	Guide Plate	18024

Bolts ø	Type	Ref.No
33-36 mm	Brush-ST-1.4401	18003
	Guide Plate	18023
39-42 mm	Brush-ST-1.4401	18002
	Guide Plate	18022
45-48 mm	Brush-ST-1.4401	18001
	Guide Plate	18021

Bolts ø	Type	Ref.No
16-48mm	Brush-set-ST-1.4401	18010

### Nut cleaner

Type	Ref.No
Conical brush St-1.4401	18041
Conical brush plate	18042

**MAKES RUSTY BOLTS, NEW AGAIN : IN SECONDS!**

*“clean bolts achieve proper torque”*