

TORQUE TOOL SPECIALIST



1-484-951-6628



PHE SERIES PLATE HEAT EXCHANGER

BOLTING PROBLEM SOLVERS SINCE 2004

TEL : 1-484-951-6628

SALES : BOLTING@NIBTORQUE.COM

FAX : 1-866-780-9316

WEB : WWW.NIBTORQUE.COM

PHE SERIES

PLATE HEAT EXCHANGER



SG SIDE GEAR MODELS



ELECTRIC PISTOL GRIP RIGHT ANGLE



PNEUMATIC PISTOL GRIP RIGHT ANGLE



PNEUMATIC REMOTE CONTROL RIGHT ANGLE

/L INLINE MODELS



ELECTRIC PISTOL GRIP INLINE

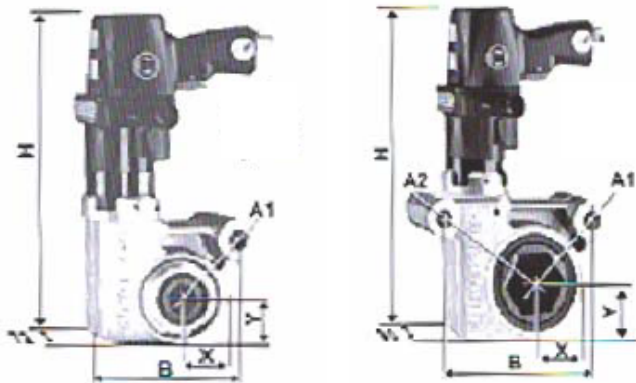


PNEUMATIC PISTOL GRIP INLINE

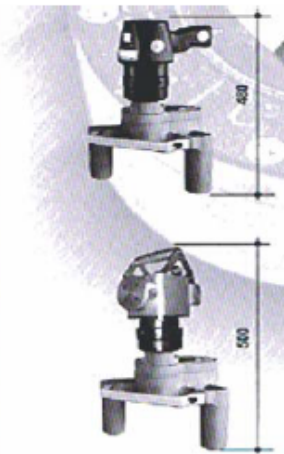
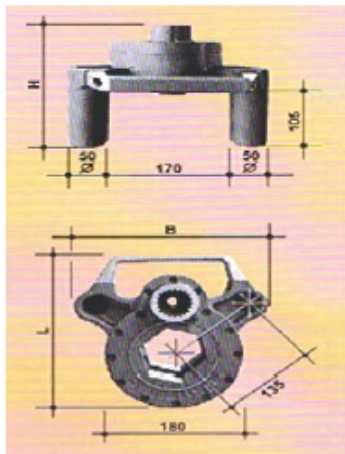


PNEUMATIC REMOTE CONTROL INLINE

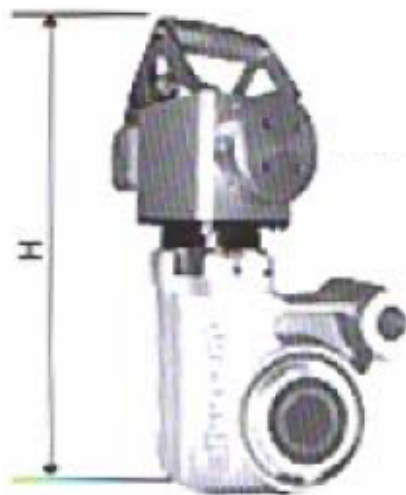
PNEUMATIC POWERED



Type		AT-24	AT-30	AT-52
2 nd Gear Torque	Nm	590-1730	630-1850	670-1975
1 st Gear Torque	Nm	1440-4235	1545-4535	1645-4840
Hex size	mm	36	46	80
Height H	mm	400	435	450
Width B	mm	163	188	230
Distance A2/A1	mm	-/100	-/112	160/130
Distances X/Y	mm	56/56	73/73	85/85
Weight	Kg	12.5	14	21
2 nd Gear speed	rpm	3	3	6
1 st Gear speed	rpm	1	1	2

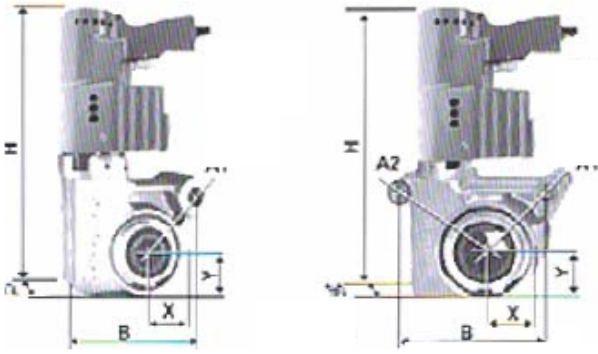


Type		AT-SG 42	AT-SG 52	ATC-SG 42	ATC-SG 52
Torque	Nm	1280-3780	1280-3780	1280-3780	1280-3780
Hex size	mm	52	80	52	80
Height H	mm	225	225	225	225
Width B	mm	270	270	270	270
Length L	mm	260	260	260	260
Weight	Kg	16.5	16.5	18	18

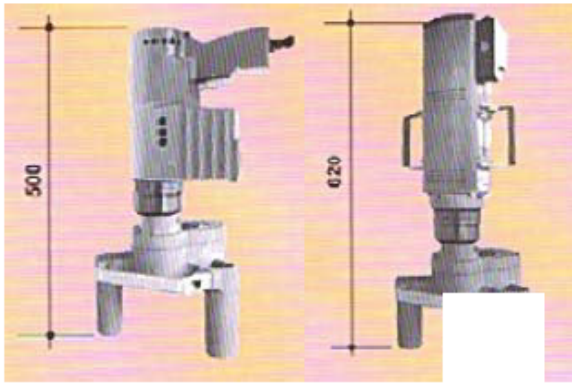


Type		ATC-24	ATC-30	ATC-52
1 st Gear Torque	Nm	1440-4235	1545-4535	1645-4840
Hex size	mm	36	46	80
Height H	mm	345	385	435
Width B	mm	163	188	230
Distance A2/A1	mm	-/100	-/112	160/130
Distances X/Y	mm	56/56	73/73	85/85
Weight	Kg	13.5	16	23
1 st Gear speed	rpm	1	1	2

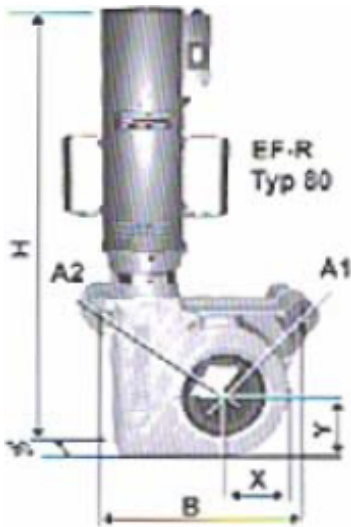
ELECTRIC POWERED



Type		ETC-24	ETC-30	ETC-52
Torque	Nm	560-3780	560-3780	560-3780
Hex size	mm	36	46	80
Height H	mm	385	425	475
Width B	mm	163	188	230
Distance A2/A1	mm	-/100	-/112	160/130
Distances X/Y	mm	56/56	73/73	85/85
Weight	Kg	13	15	22
Speed	rpm	2	2	2



Type		ETC-SG 42	ETC-SG 52	EIP-SG 42	EIP-SG 52
Torque	Nm	560-3780	560-3780	560-3780	560-3780
Hex size	mm	52	80	52	80
Height H	mm	225	225	225	225
Width B	mm	270	270	270	270
Length L	mm	260	260	260	260
Weight	Kg	18.5	18.5	22.5	22.5



Type		EIP-24	EIP-30	EIP-52
Torque	Nm	560-3780	560-3780	560-3780
Hex size	mm	36	46	80
Height H	mm	500	550	600
Width B	mm	163	188	230
Distance A2/A1	mm	-/100	-/112	160/130
Distances X/Y	mm	56/56	73/73	85/85
Weight	Kg	16.5	19	26
Speed	rpm	13	12	11

FULL LINE OF ADAPTERS AND STEP DOWN REDUCERS CONVERT TO ANY HEX SIZE

