

TORQUE TOOL SPECIALIST



LP SERIES TOOLING

BOLTING PROBLEM SOLVERS SINCE 2004

TEL : 1-484-951-6628

SALES : BOLTING@NIBTORQUE.COM

FAX : 1-866-780-9316

WEB : WWW.NIBTORQUE.COM

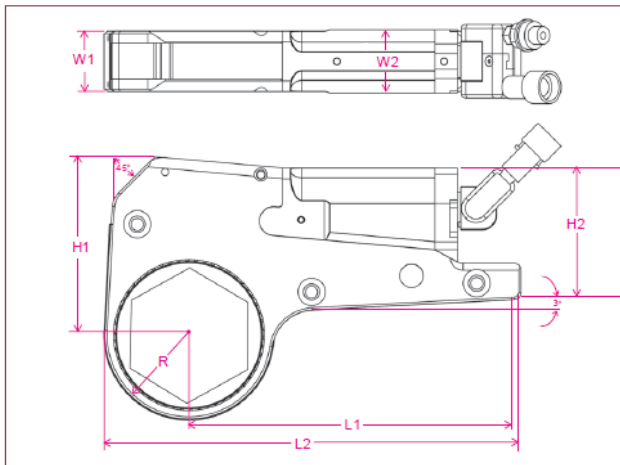
LP SERIES TORQUE WRENCHES

18 MONTH WARRANTY



MADE IN THE U.S.A. FROM AIRCRAFT GRADE T6 7075 ALUMINUM

MODEL NUMBER	Units	LP 2	LP 4	LP 8	LP 16	LP 32	LP 48
Range of Hex Sizes A/F	(in) (mm)	3/4 to 2-3/8 19 to 60	7/8 to 3-1/8 22 to 80	1-1/4 to 4-1/2 32 to 115	1-5/8 to 4 5/8 41 to 120	2-3/16 to 6-1/8 56 to 155	3-1/8 to 6-1/8 80 to 155
Torque Range	(ft-lb) (n-m)	268 to 1826 363 to 2476	568 to 3788 770 to 5137	1075 to 8024 1457 to 10881	2400 to 16000 3201 to 22009	5250 to 35000 7119 to 47460	7125 to 38000 9662 to 51528
Cylinder Weight	(lb) (kg)	3.45 1.56	5.8 2.63	10.2 4.62	15.5 7.03	18 8.16	19.4 8.80
Range of Link Weight	(lb) (kg)	2.20 to 3.50 1.00 to 1.58	5.25 to 7.50 2.38 to 3.40	11.40 to 14.10 5.17 to 6.39	19.70 to 27.60 8.93 to 12.51	32.00 to 99.00 14.50 to 44.90	35.00 to 99.00 15.87 to 44.90



DIMENSIONS

	Units	LP 2	LP 4	LP 8	LP 16	LP 32	LP 48
L1-Maximum Reaction Reach	(in) (mm)	7.00 177.80	8.41 213.69	11.31 287.32	14.00 355.60	16.00 406.40	16.00 406.40
L2-Overall Length	(in) (mm)	8.90 226.08	10.70 271.78	14.27 362.59	17.95 455.93	19.25 488.95	19.25 488.95
H1-Center of Bolt to Top of Tool	(in) (mm)	3.86 98.17	4.77 121.29	6.16 156.67	7.25 184.15	10.50 266.70	10.50 266.70
H2-Back End Height	(in) (mm)	3.45 87.63	3.78 96.14	6.05 153.67	8.50 215.9	10.90 276.86	11.40 289.56
W1-Tool Width at Link	(in) (mm)	1.25 31.75	1.62 41.28	2.10 53.34	2.35 59.69	2.55 64.77	2.55 64.77
W2-Tool Width at Cylinder	(in) (mm)	1.25 31.75	1.75 44.45	2.10 53.34	2.45 62.23	2.80 71.12	3.10 78.74
R-Tool Radius around Bolt	(in) (mm)	1.03 to 1.75 26.16 to 44.48	1.31 to 2.30 33.32 to 58.47	1.72 to 2.95 43.82 to 74.98	1.95 to 3.50 49.53 to 88.9	2.50 to 4.75 63.5 to 120.65	2.75 to 4.75 70.0 to 120.65

