

TORQUE TOOL SPECIALIST



F2 SERIES TWO SPEED

BOLTING PROBLEM SOLVERS SINCE 2004

TEL : 1-484-951-6628

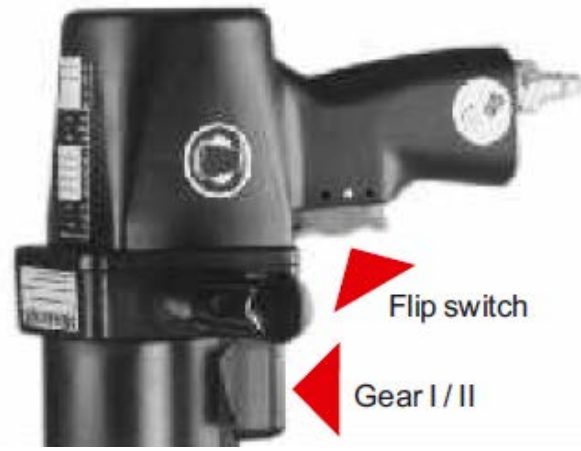
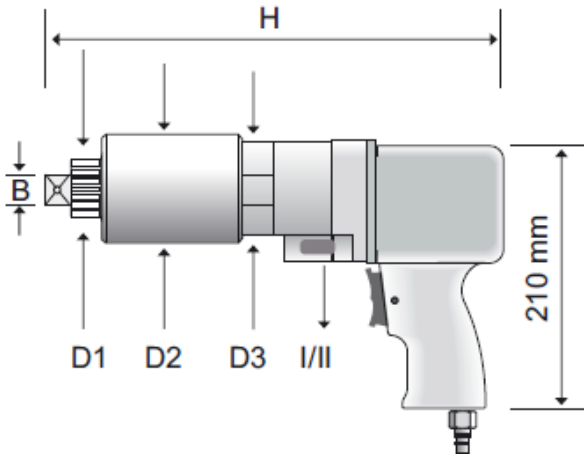
SALES : BOLTING@NIBTORQUE.COM

FAX : 1-866-780-9316

WEB : WWW.NIBTORQUE.COM

F2 SERIES

PNEUMATIC TORQUE WRENCHES



WORLD'S MOST POWERFUL AIRTOOL

2 SPEEDS: FAST BOLTING, WIDE TORQUE BAND

ACCURACY +/- 4%

Model No.		AT800F-2	AT1200F-2	AT2650F-2	AT3700F-2	AT5800F-2	AT7000F-2	AT8100F-2	AT12500F-2	AT25000F-2	AT35000F-2
Torque Range*	ft-lb	280-830	406-1191	904-2652	1269-3728	1973-5801	2368-6959	2762-8121	4279-12539	8482-25077	11801-35845
	nm	380-1125	550-1615	1225-3595	1720-5055	2675-7865	3210-9435	3745-11010	5800-17000	11500-34000	16000-486000
Torque Range*	ft-lb	89-262	125-372	284-834	398-1169	620-1822	745-2039	867-2548	1180-3540	2434-7154	3467-10252
	nm	120-355	170-505	385-1130	540-1585	840-2470	1010-2765	1175-3455	1600-4800	3300-9700	4700-13900
Square Drive (B)	in	3/4 & 1	1	1	1-1/2	1-1/2	1-1/2	1-1/2	2-1/2	2-1/2	2-1/2
D1**	in	1.61 / 2.13	2.13	2.13	2.83	2.83	2.83	3.58			
	mm	41 / 54	54	54	72	72	72	91	SW120	SW120	SW120
D2	in	3.35	3.35	3.35	3.86	4.84	5.83	6.81	10.83	10.83	10.83
	mm	85	85	85	98	123	148	172	275	275	275
D3	in	3.46	3.46	3.46	3.86	4.84	5.83	6.81	10.83	10.83	10.83
	mm	88	88	88	98	123	148	173	275	275	275
Height	in	11.02	12.99	14.17	14.96	16.14	16.14	16.93	22.44	22.44	22.44
	mm	280	330	360	380	410	410	430	570	570	570
Free Speed (rpm)	1st gear	12	7	5	3	2	1.5	1	0.5	0.4	0.3
	2nd gear	36	21	15	9	6	5	4	1	0.8	0.6
Weight	lb	15.43	16.53	19.84	24.25	33.07	44.09	52.91	132.27	132.27	132.27

