

TORQUE TOOL SPECIALIST



1-484-951-6628



AT SERIES SINGLE SPEED

BOLTING PROBLEM SOLVERS SINCE 2004

TEL : 1-484-951-6628

SALES : BOLTING@NIBTORQUE.COM

FAX : 1-866-780-9316

WEB : WWW.NIBTORQUE.COM

AT SERIES

PNEUMATIC WRENCHES

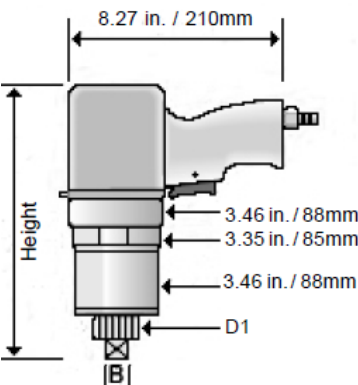


ACCURACY +/- 4%

AirTite® R Series

SINGLE SPEED LOWER CAPACITY TORQUE

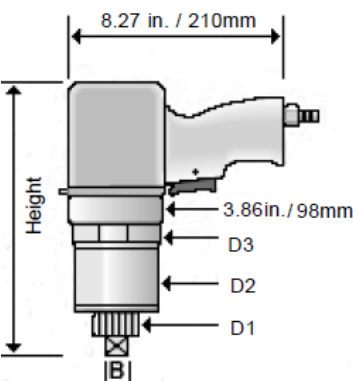
AT160R - AT1400R



Model No.		AT160R	AT290R	AT360R	AT660R	AT800R	AT1100R	AT1400R
Torque Range*	ft-lb	55 - 165	100 - 290	120 - 360	225 - 660	295 - 795	365 - 1070	475 - 1400
	nm	75 - 225	135 - 390	165 - 485	305 - 895	365 - 1080	495 - 1450	645 - 1900
Square Drive (B)	in	1/2 & 3/4	3/4	3/4	3/4	3/4	3/4 & 1	1
D1**	in	1.61	1.61	1.61	1.61	1.61	1.61 / 2.13	2.13
	mm	41	41	41	41	41	41 / 54	54
Height	in	10.04	10.04	10.04	10.83	10.83	10.83 / 11.81	11.81
	mm	255	255	255	275	275	275 / 300	300
Free Speed**	rpm	60	34	27	19	13	9	7
Weight (without support)	lb	13.89	13.89	13.89	15.43	15.43	15.43 / 16.1	16.1
	kg	6.3	6.3	6.3	7	7	7 / 7.3	7.3

SINGLE SPEED HIGHER CAPACITY TORQUE

AT2000R - AT8000R



Model No.		AT2000R	AT2550R	AT3200R	AT4500R	AT5700R	AT7200R
Torque Range*	ft-lb	671 - 1969	870 - 2552	1099 - 3231	1534 - 4510	1925 - 5680	2430 - 7230
	nm	910 - 2670	1180 - 3460	1490 - 4380	2080 - 6115	2610 - 7700	3300 - 9800
Square Drive (B)	in	1	1	1-1/2	1-1/2	1-1/2	1-1/2
D1**	in	2.13	2.13	2.83	2.83	2.83	3.58
	mm	54	54	72	72	72	91
D2	in	3.35	3.35	3.86	4.84	5.83	6.81
	mm	85	85	98	123	148	173
D3	in	3.46	3.46	3.86	4.84	5.83	6.81
	mm	88	88	98	123	148	173
Height	in	11.81	11.81	12.6	13.78	13.78	14.57
	mm	300	300	320	350	350	370
Free Speed**	rpm	8	6.5	4	2.5	1.5	1
Weight (without support)	lb	19.84	19.84	26.46	35.27	41.89	55.12
	kg	9	9	12	16	19	25

