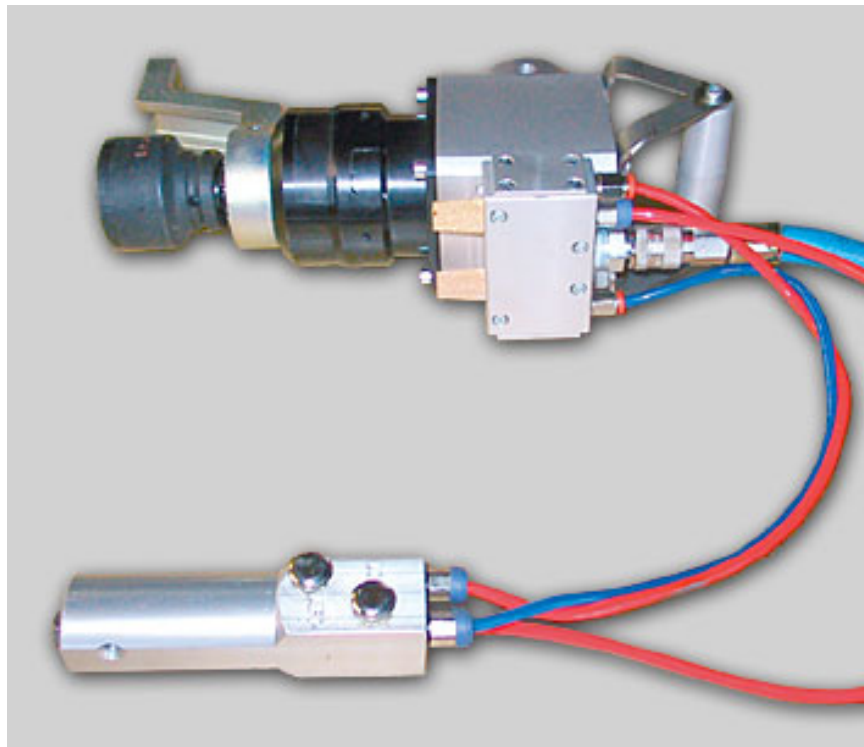


# TORQUE TOOL SPECIALIST



1-484-951-6628



## ATC SERIES REMOTE CONTROLLED

*BOLTING PROBLEM SOLVERS SINCE 2004*

TEL : 1-484-951-6628

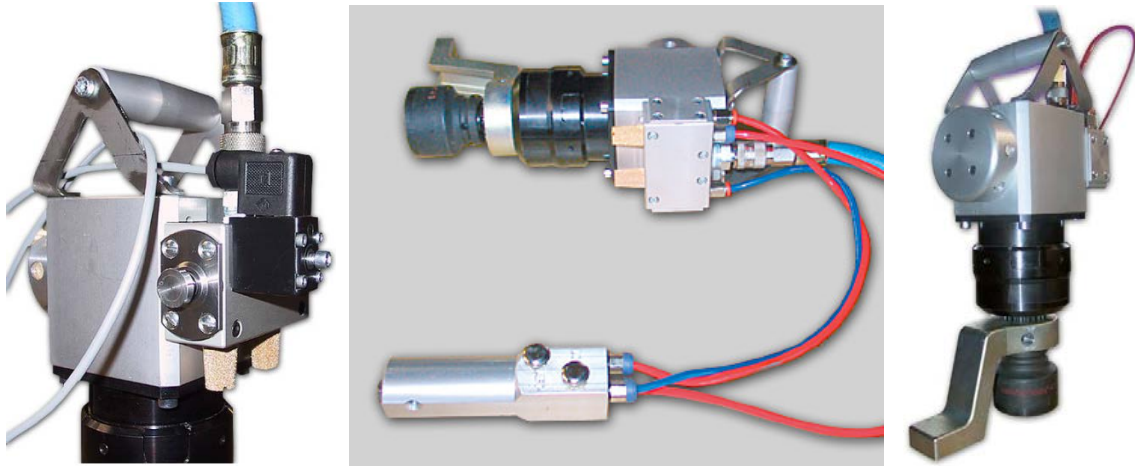
SALES : [BOLTING@NIBTORQUE.COM](mailto:BOLTING@NIBTORQUE.COM)

FAX : 1-866-780-9316

WEB : [WWW.NIBTORQUE.COM](http://WWW.NIBTORQUE.COM)

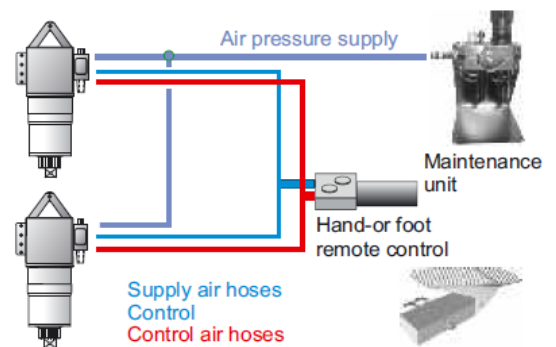
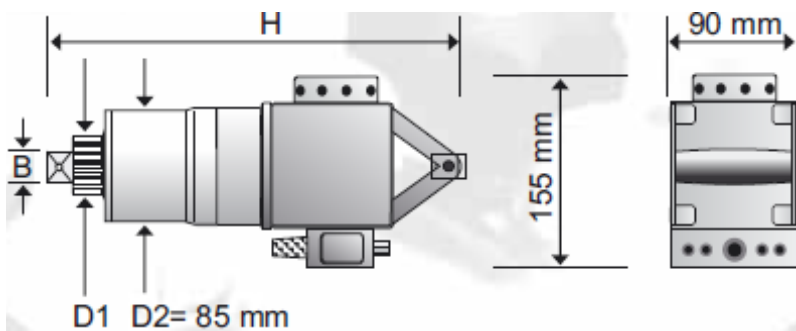
# ATC SERIES

## PNEUMATIC REMOTE CONTROLLED



ACCURACY +/- 4%

Series ATC	Type	ATC 160	ATC 200	ATC 280	ATC 350	ATC 660	ATC 800	ATC 1070	ATC 1400	ATC 2000	ATC 2550
Performance **	Ft Lbs	45 -162	70-205	100-285	121-355	225-660	270-795	365-1069	475-1400	671-1969	870-2550
Performance **	Nm	60-220	95-280	135-390	165-485	305-895	365-1080	495-1450	645-1900	910-2670	1180-3460
Square drive	B	1/2" / 3/4"	1/2" / 3/4"	3/4"	3/4"	3/4"	3/4"	1"	1"	1"	1"
Diameter D <sub>1</sub> **	mm	41	41	41	41	41	41	54	54	54	54
Height (H)	mm	296	296	296	296	318	318	320	340	372	372
Weight	kg	5,8	5,8	6,2	6,2	6,8	6,8	6,8	6,8	7,4	7,4
<b>Weight</b>	<b>Lbs</b>	<b>12.9</b>	<b>12.9</b>	<b>13.6</b>	<b>13.6</b>	<b>14.9</b>	<b>14.9</b>	<b>14.9</b>	<b>14.9</b>	<b>16.3</b>	<b>16.3</b>
Idling speed **	mm <sup>-1</sup>	60	38	34	27	19	13	9	7	6	4



\*\*OPTIONAL MULTIPLE TOOL SETUP

